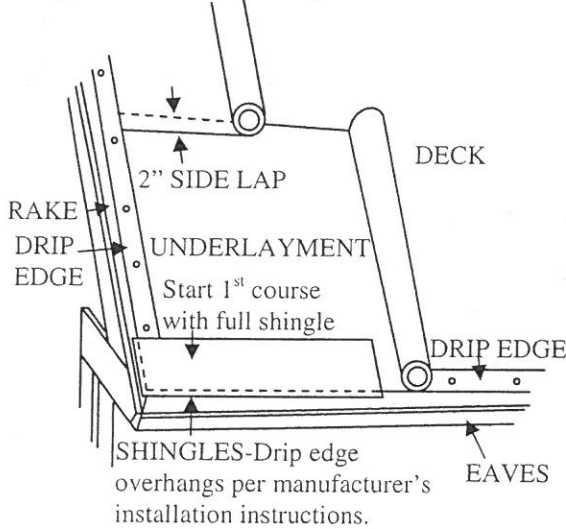
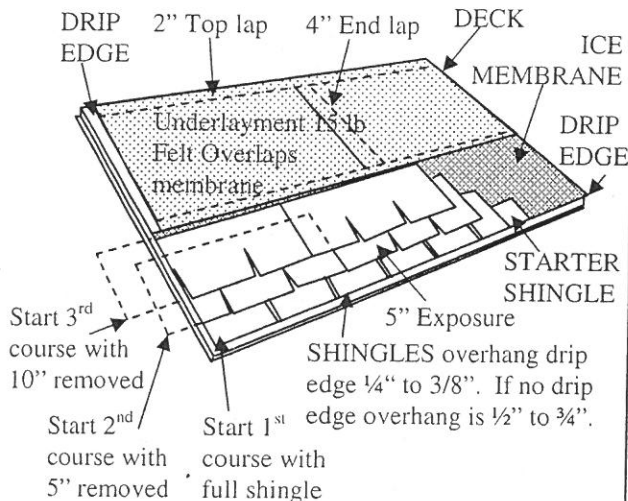


Ice protection underlayment

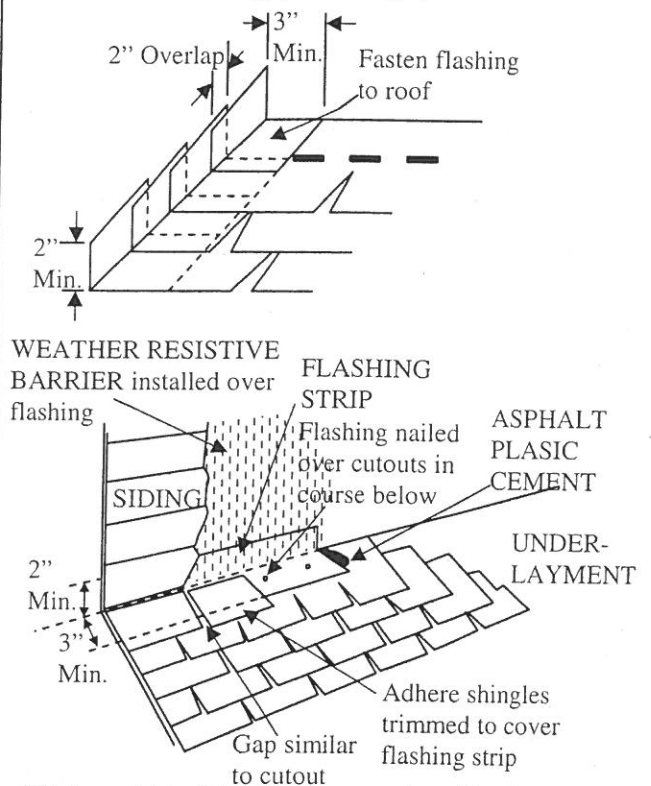


- When installing underlayment, care should be taken to install it wrinkle free. The underlayment should be installed over the eave drip edge and under the rake drip edge.
- Underlayment layers shall overlap 2 inches horizontally and 4 inches vertically.

Shingle application using 5-inch method



Sidewall flashing (26 Gauge)



Kick-out flashing (new construction)

