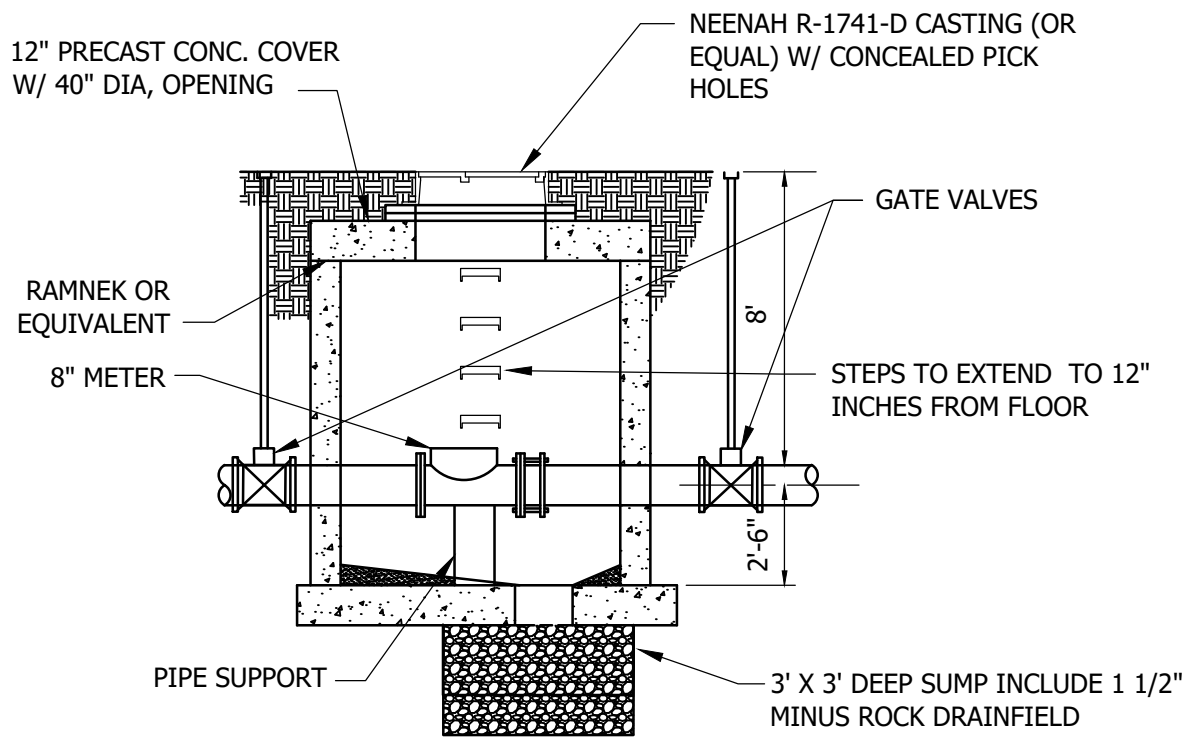


PLAN



SECTION A-A



METER STATION

LAST REVISION:
DEC 2019

PLATE NO.
WAT-7