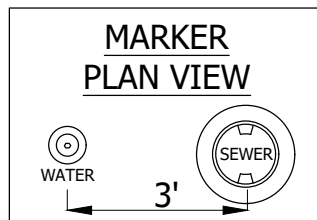
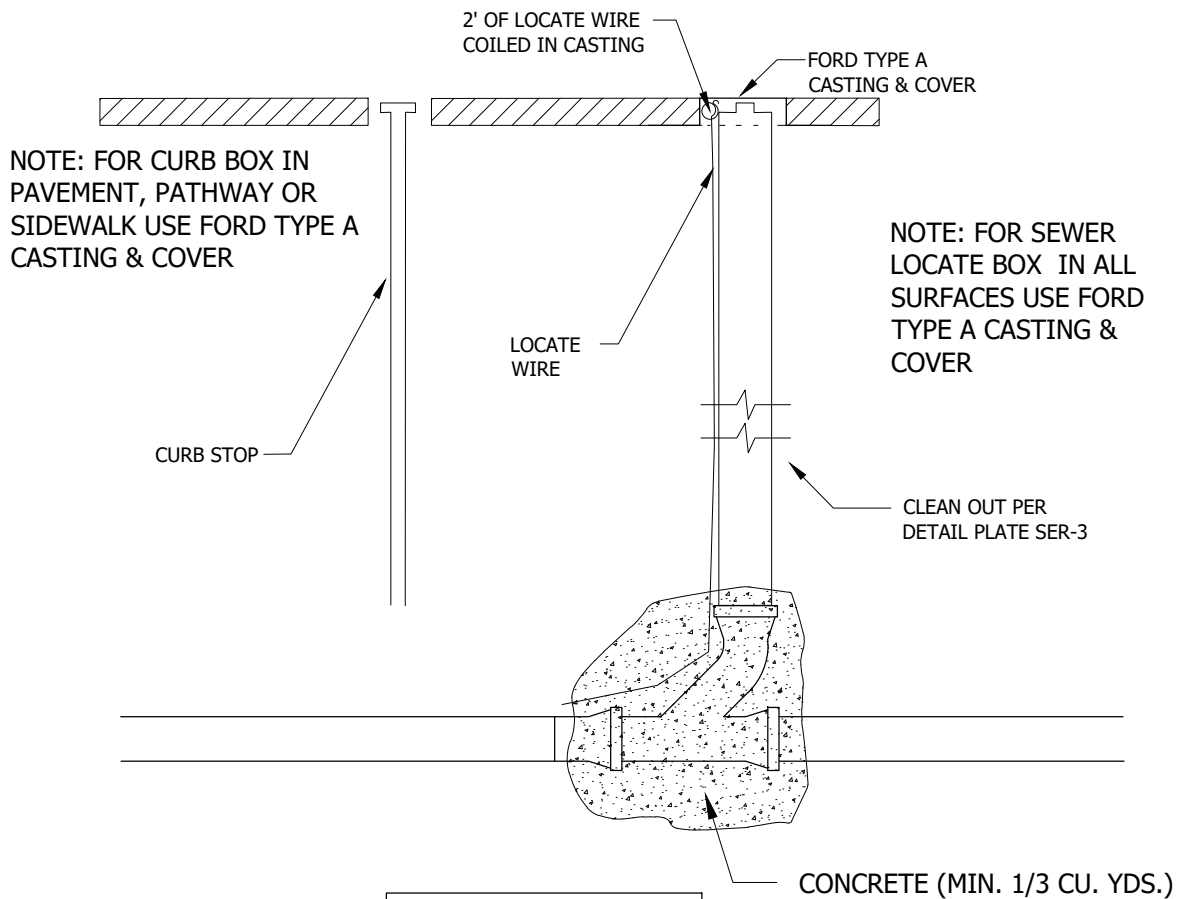


SEWER & WATER SERVICE CONNECTIONS

LAST REVISION:
JAN 2021

PLATE NO.
SER-1

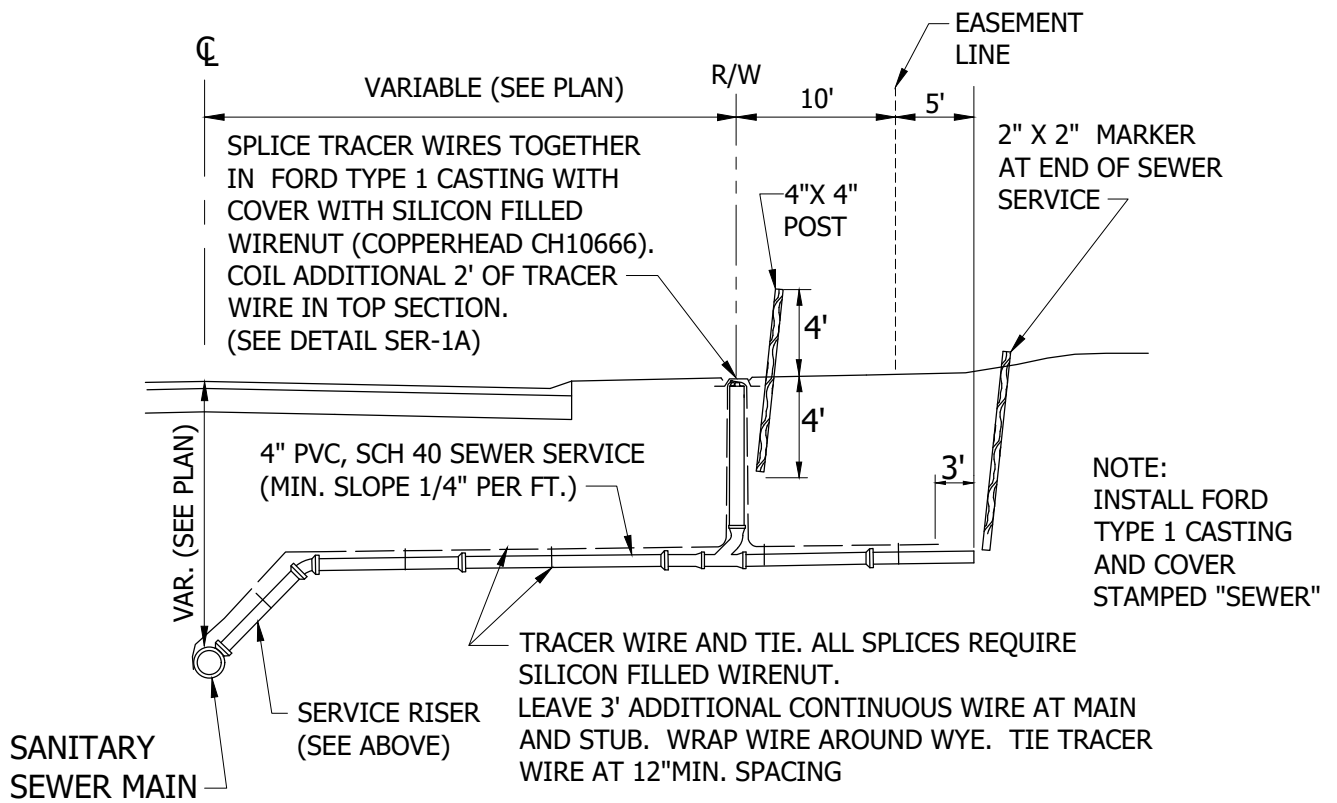
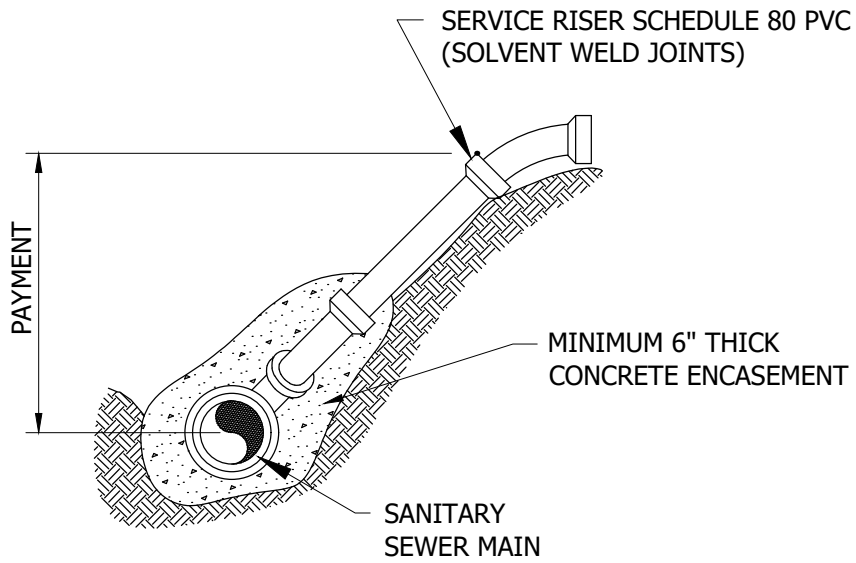
SEWER SERVICE LOCATING
WIRE ACCESS BOX FOR
BOTH HARD SURFACES AND
NON-HARD SURFACE AREAS



SEWER & WATER SERVICE LOCATE BOXES

LAST REVISION:
JAN 2021

PLATE NO.
SER-1A



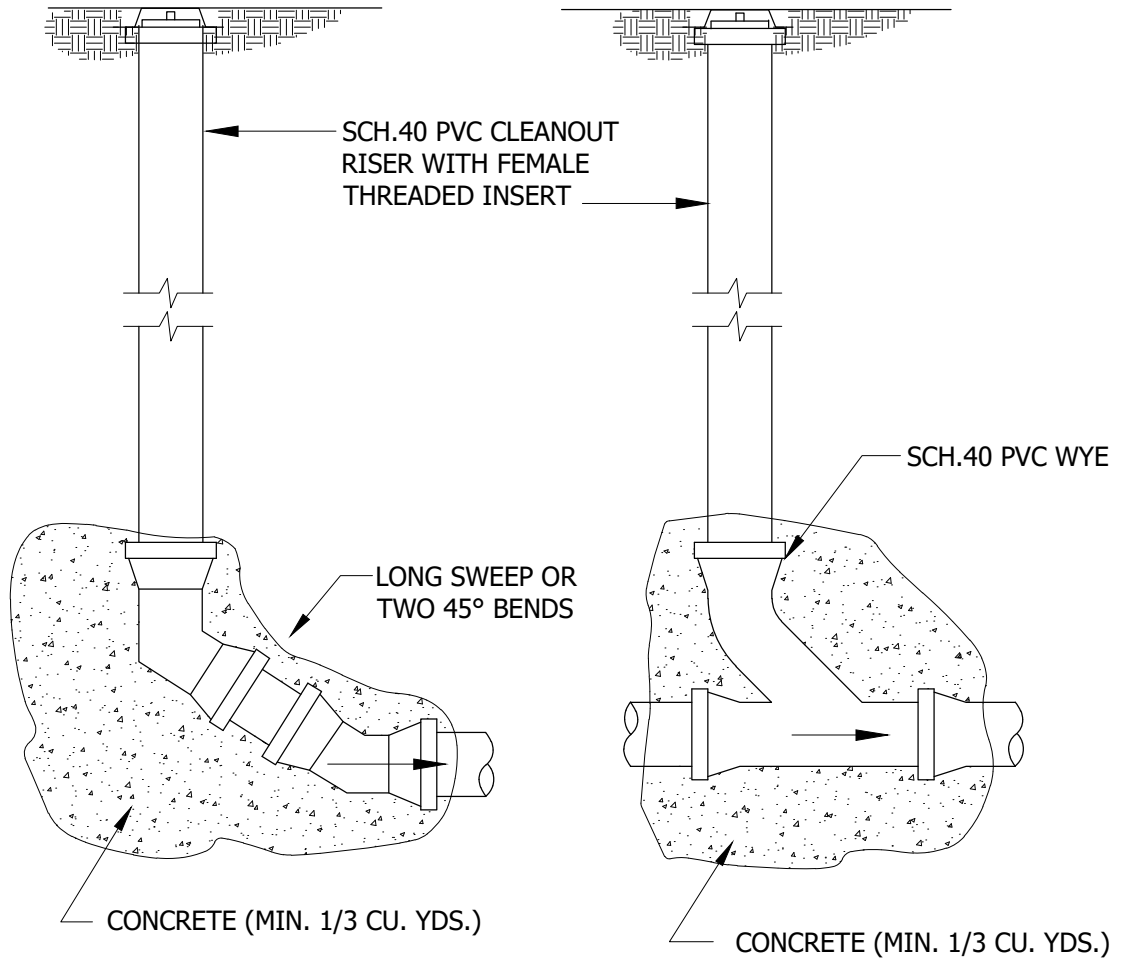
SEWER SERVICE CONNECTION WITH RISER

LAST REVISION:
JAN 2021

PLATE NO.
SER-2

NOTE:
CLEANOUT CAP SHALL BE
THREADED MALLEABLE IRON
(GALVANIZED) COVERED WITH
FORD TYPE A CASTING AND
COVER

NOTE:
ENCLOSE LONG SWEEP BEND OR
PVC WYE IN CONCRETE AS
SHOWN. COVERED WITH FORD
TYPE A CASTING AND COVER



END OF LINE CLEANOUT

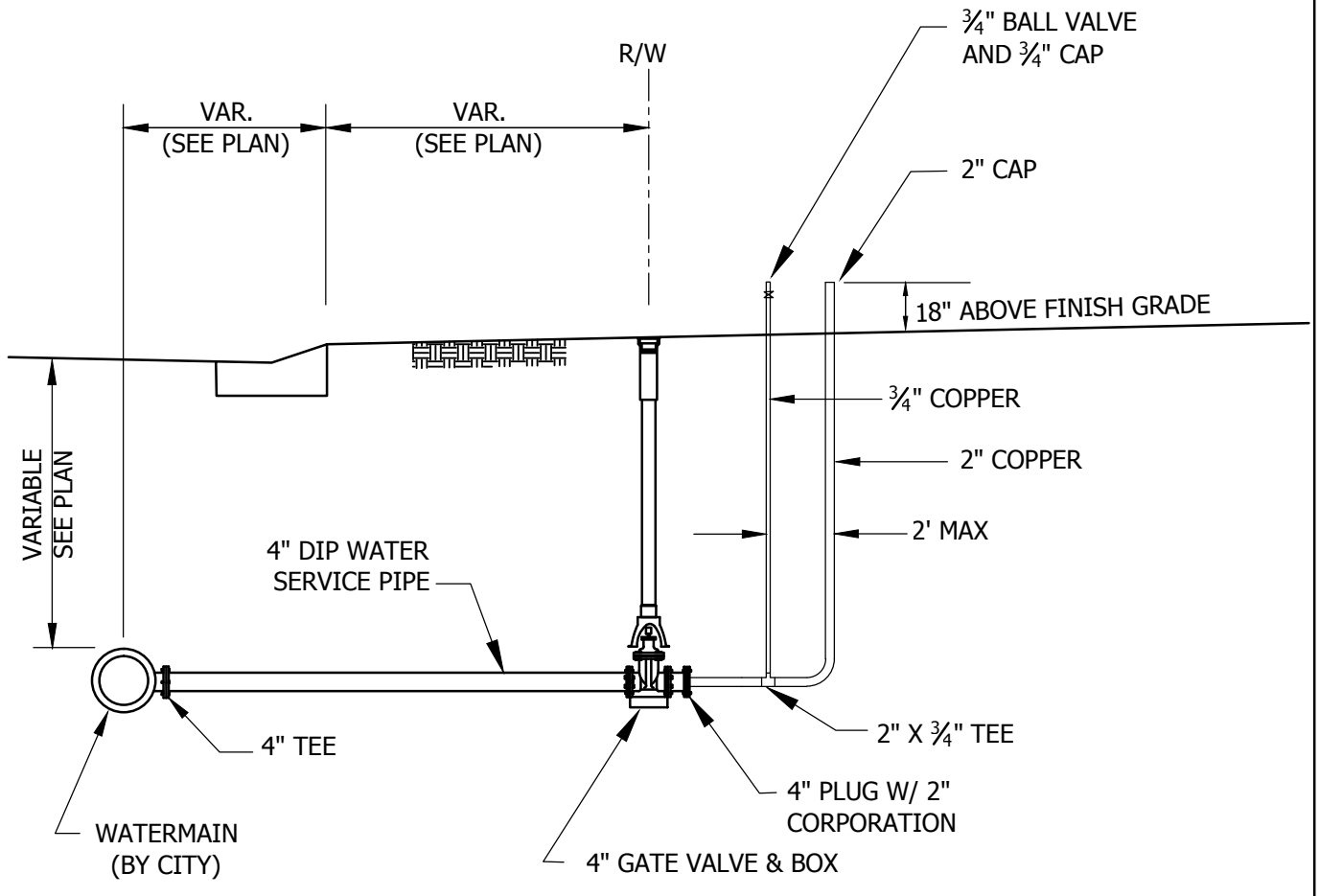
IN LINE CLEANOUT



SERVICE LINE CLEANOUTS

LAST REVISION:
JAN 2021

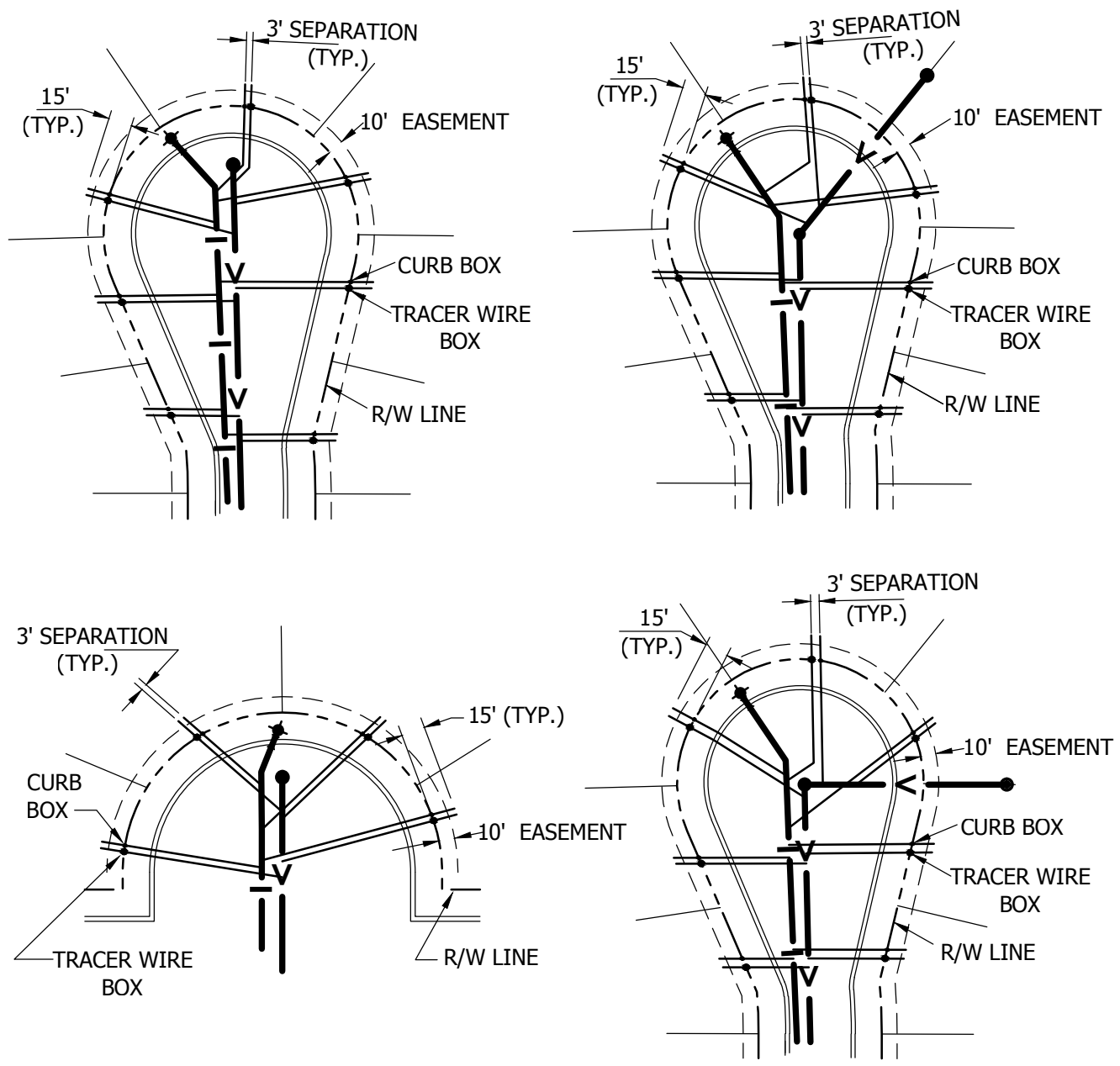
PLATE NO.
SER-3



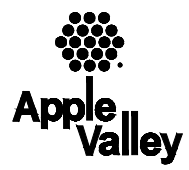
IRRIGATION SERVICE

LAST REVISION:
MAR 2013

PLATE NO.
SER-4



NOTE:
 -SANITARY SEWER SERVICES SHALL BE INSTALLED 3' DOWNSTREAM OF WATER SERVICES.
 -WATER SERVICES SHALL BE INSTALLED IN THE SAME TRENCH AS THE SANITARY SEWER SERVICES.



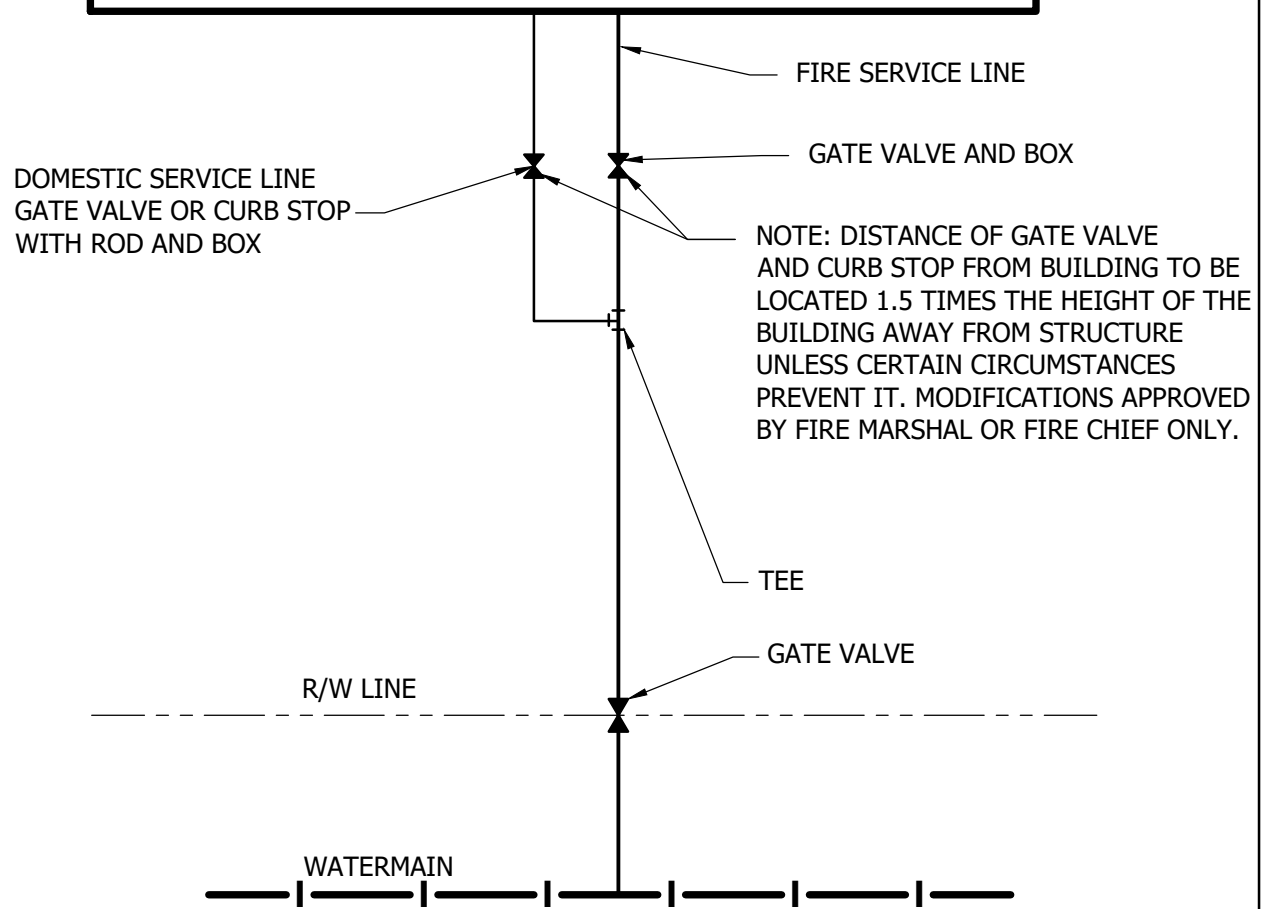
SERVICE ALIGNMENT
 IN CUL-DE-SAC

LAST REVISION:
 JUNE 2009

PLATE NO.
 SER-5



SPRINKLED BUILDING



FIRE SERVICE LINE

GATE VALVE AND BOX

DOMESTIC SERVICE LINE
GATE VALVE OR CURB STOP
WITH ROD AND BOX

NOTE: DISTANCE OF GATE VALVE
AND CURB STOP FROM BUILDING TO BE
LOCATED 1.5 TIMES THE HEIGHT OF THE
BUILDING AWAY FROM STRUCTURE
UNLESS CERTAIN CIRCUMSTANCES
PREVENT IT. MODIFICATIONS APPROVED
BY FIRE MARSHAL OR FIRE CHIEF ONLY.

TEE

GATE VALVE

R/W LINE

WATERMAIN



BUILDING SPRINKLER SERVICE

LAST REVISION:
JAN 2017

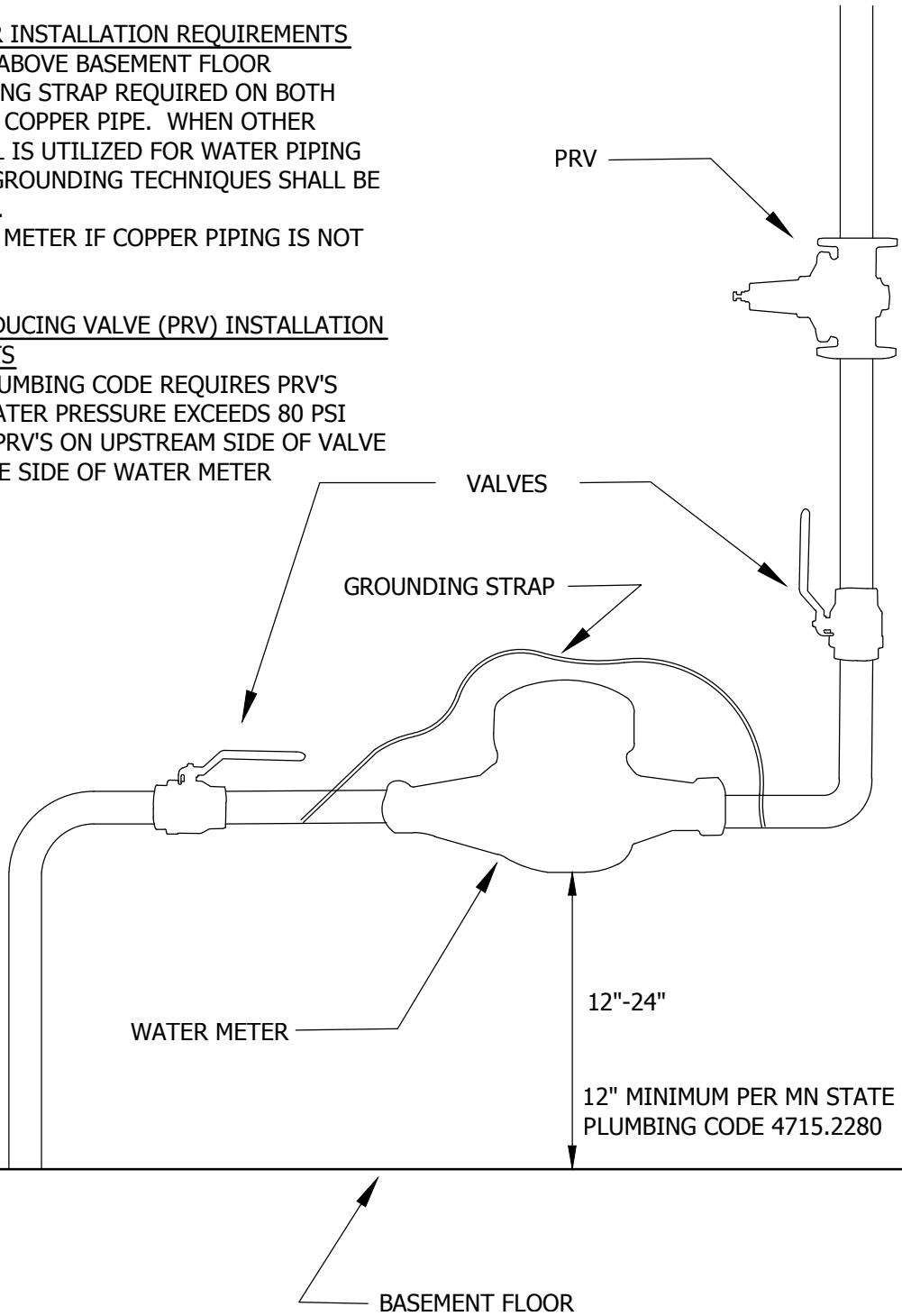
PLATE NO.
SER-6

WATER METER INSTALLATION REQUIREMENTS

- 12" - 24" ABOVE BASEMENT FLOOR
- GROUNDING STRAP REQUIRED ON BOTH SIDES OF COPPER PIPE. WHEN OTHER MATERIAL IS UTILIZED FOR WATER PIPING PROPER GROUNDING TECHNIQUES SHALL BE UTILIZED.
- SUPPORT METER IF COPPER PIPING IS NOT USED.

PRESSURE REDUCING VALVE (PRV) INSTALLATION REQUIREMENTS

- STATE PLUMBING CODE REQUIRES PRV'S WHEN WATER PRESSURE EXCEEDS 80 PSI
- INSTALL PRV'S ON UPSTREAM SIDE OF VALVE ON HOUSE SIDE OF WATER METER



WATER METER WITH PRV

LAST REVISION:
DEC 2014

PLATE NO.
SER-7