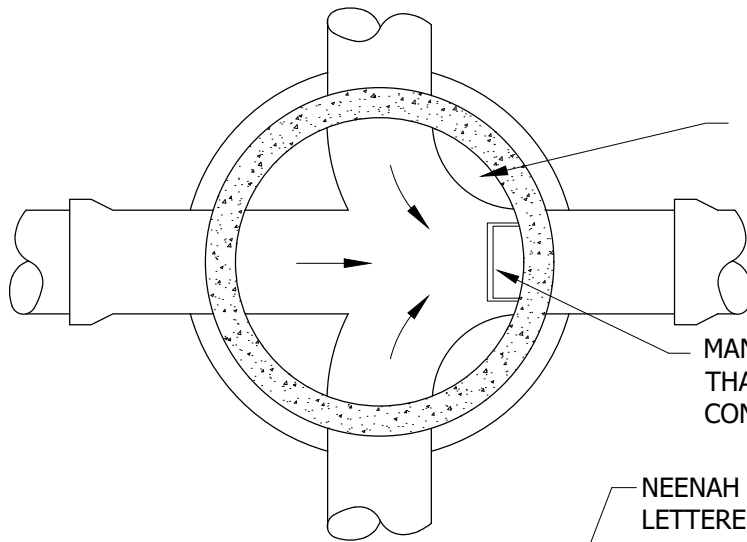


CASTING	A	B
R1642B	27"	7"
ESS.BRO.309	27"	7"



POUR CONCRETE INVERT TO SPRINGLINE OF PIPE & SLOPE 2"/FT. TOWARD PIPE.

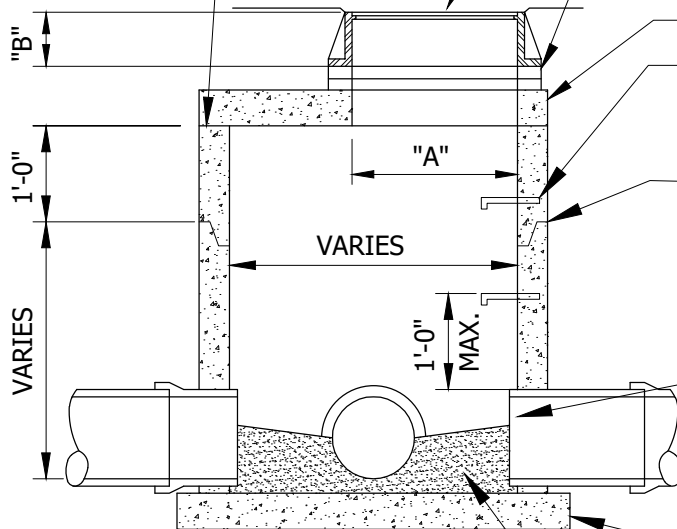
MANHOLE STEPS SHALL BE PLACED SO THAT OFFSET VERTICAL PORTION OF CONE IS FACING DOWNSTREAM.

NEENAH FRAME AND COVER OR EQUAL LETTERED, "STORM SEWER", WITH 2 CONCEALED PICK HOLES.

PLAN

SEAL WITH 2 BEADS OF RAM-NEK

MIN. OF 2, MAX. OF 6 HDPE ADJUSTMENT RINGS. MAXIMUM 19" ADJUSTMENT, RINGS AND CASTING. INSTALL I&I BARRIER. EXTERIOR SEAL CONSISTS OF INFI-SHIELD UNI-BAND OR ENGINEER APPROVED EQUAL.



PRECAST REINFORCED CONCRETE SLAB  
MANHOLE STEPS, COPOLYMER POLYPROPYLENE PLASTIC, WITH 1/2" GRADE 60 STEEL REINFORCEMENT OR EQUAL, 16" ON CENTER.

PRECAST CONCRETE MANHOLE SECTIONS PER ASTM C478. ALL JOINTS IN MANHOLE TO HAVE A MINIMUM 1 LAYER OF GATER WARP OR ENGINEER APPROVED EQUAL AND AN "O" RING RUBBER GASKETS PER ASTM C443.

CUT PIPE 2" INSIDE FACE OF WALL. GROUT DOGHOUSES INSIDE & OUTSIDE PER MnDOT 2506.2B2.

PRECAST CONCRETE BASE

POUR CONCRETE INVERT TO SPRINGLINE OF PIPE & SLOPE 2"/FT. TOWARD PIPE.

SECTION



**STORM SEWER JUNCTION MANHOLE  
WITH REINFORCED TOP SLAB**

LAST REVISION:  
JAN 2021

PLATE NO.  
**STO-4**