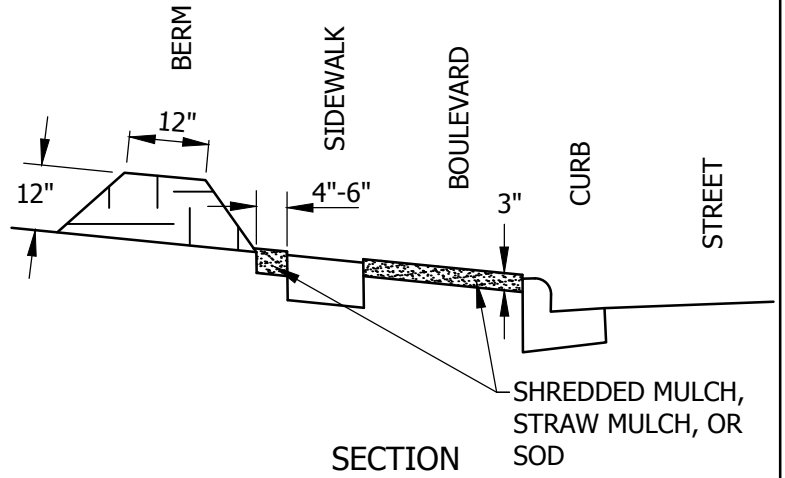
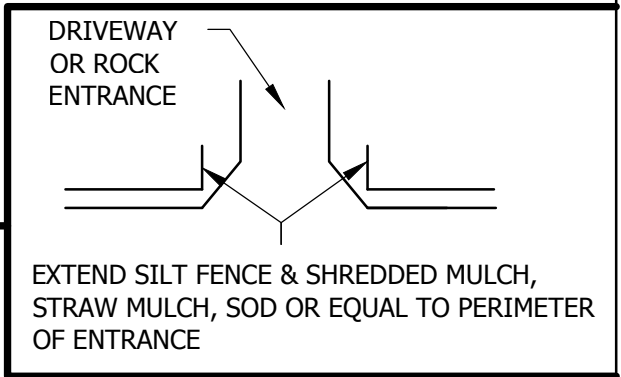


PLAN

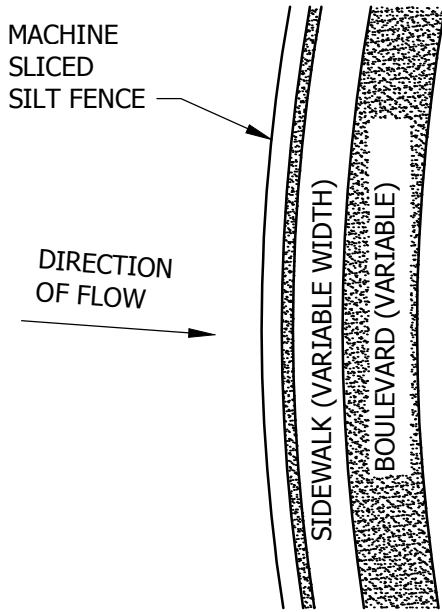
BERM OR APPROVED EQUAL



SECTION

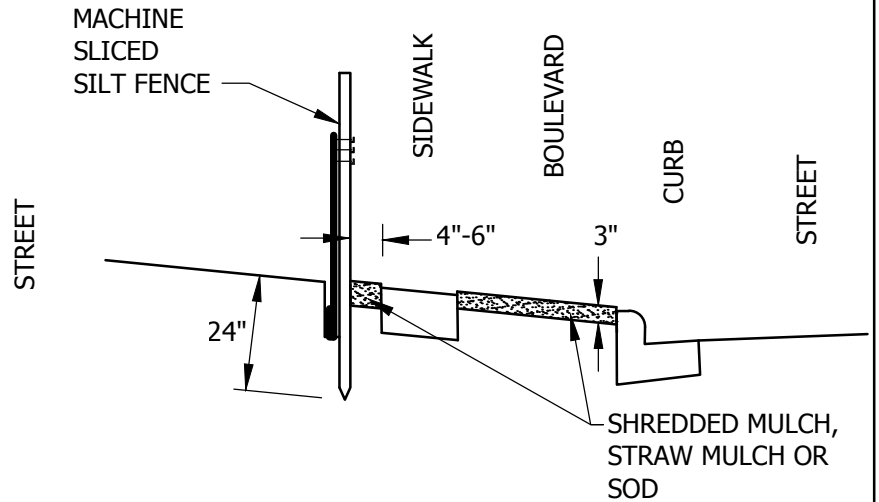


EXTEND SILT FENCE & SHREDDED MULCH, STRAW MULCH, SOD OR EQUAL TO PERIMETER OF ENTRANCE



PLAN

SILT FENCE



SECTION



BACK OF CURB PERIMETER CONTROL WITH SIDEWALK

LAST REVISION:
JUNE 2009

PLATE NO.
ERO-4