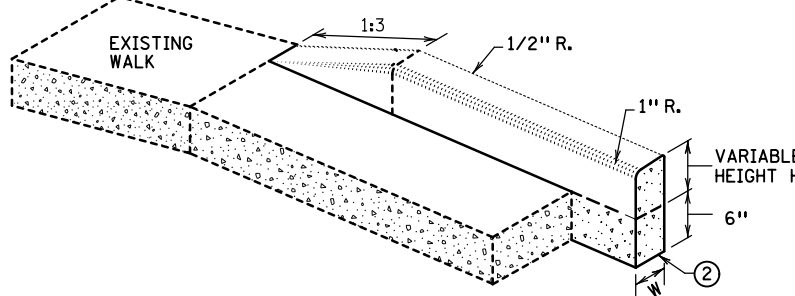
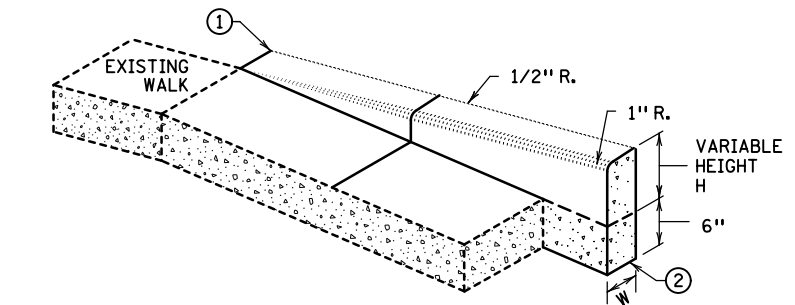


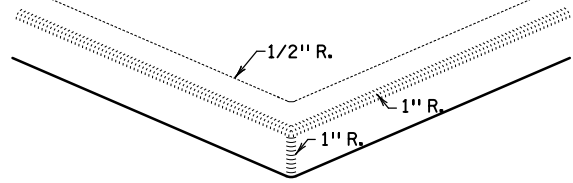
DISTRICT #: DISTRICT *
 USER NAME: \$\$\$@USER\$NAME\$\$\$
 PATH & FILENAME: Documents/Operations/Operations/ADA_Review/ADA_DesignGuidelines/ADA&space;Standard&space;Plates/2016&space;Cur&space;Ramp&space;Std.&space;



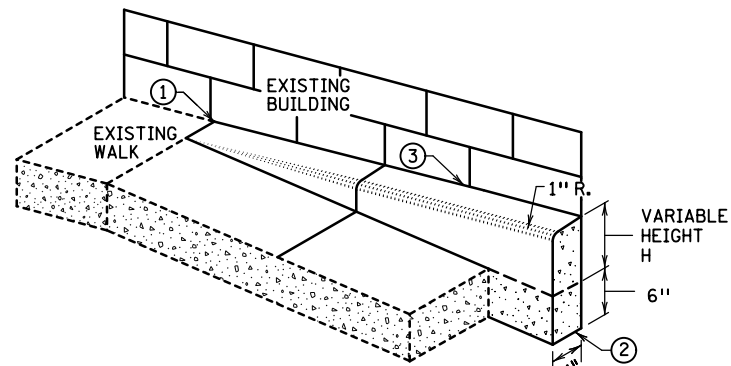
V CURB ADJACENT TO LANDSCAPE
CURB WITHIN SIDEWALK LIMITS



V CURB ADJACENT TO LANDSCAPE
CURB OUTSIDE SIDEWALK LIMITS

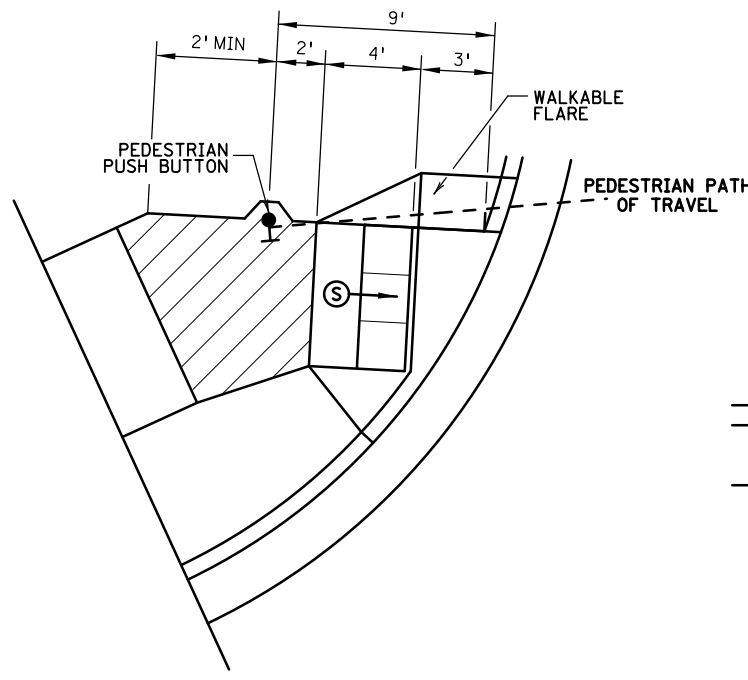


V CURB INTERSECTION



V CURB ADJACENT TO BUILDING OR BARRIER

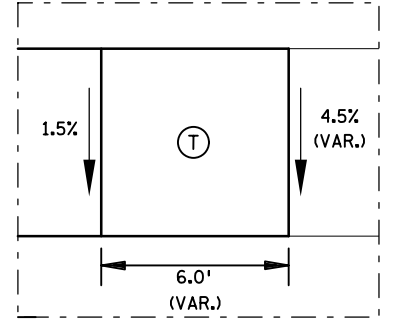
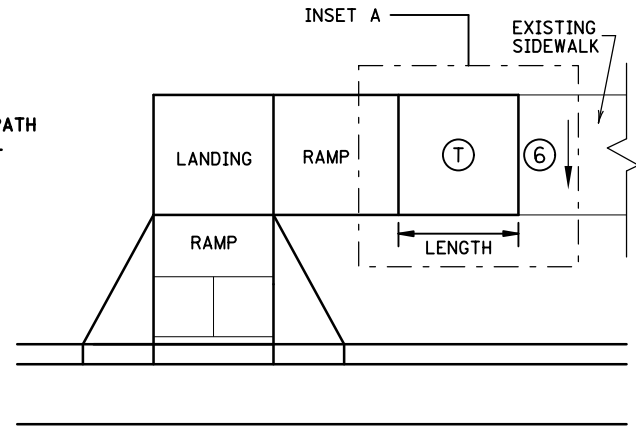
| CONCRETE CURB DESIGN V | |
|------------------------|--------------|
| CURB HEIGHT H | CURB WIDTH W |
| < 6" | 4" |
| ≥ 6" | 6" |



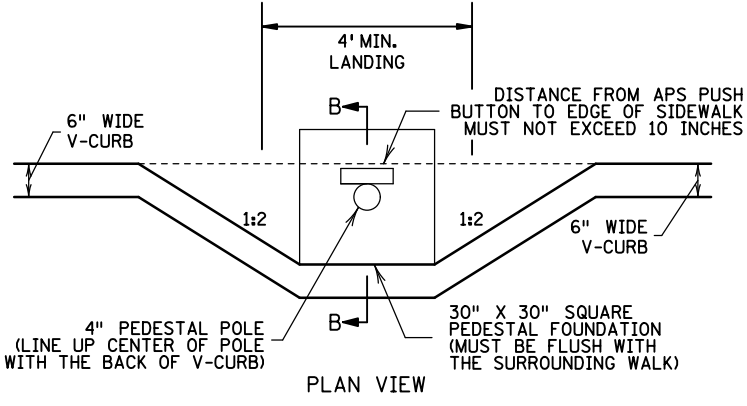
SEMI-DIRECTIONAL RAMP (3,4,9)

3' DOME SETBACK, 4' LONG RAMP AND PUSH BUTTON 9' FROM THE BACK OF CURB

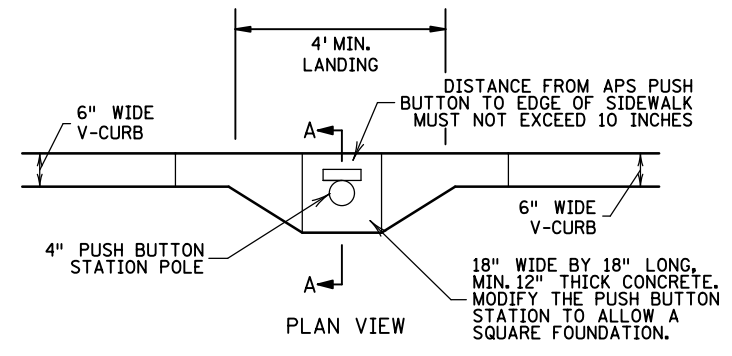
PRIMARYLY USED FOR APS APPLICATIONS WHERE THE PAR DOES NOT CONTINUE PAST THE PUSH BUTTON (DEAD-END SIDEWALK)



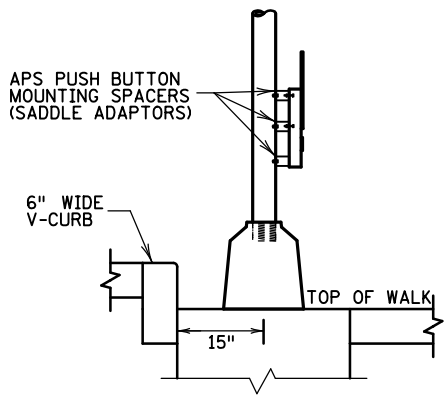
TRANSITION PANEL (4,5)



PLAN VIEW

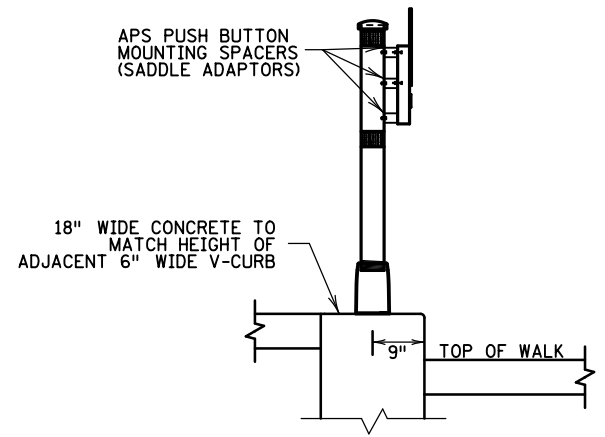


PLAN VIEW



SECTION B-B

SIGNAL PEDESTAL & PUSH BUTTON (V-CURB)



SECTION A-A

PUSH BUTTON STATION (V-CURB)

NOTES:

- A WALKABLE FLARE IS AN 8-10% CONCRETE FLARE THAT IS REQUIRED WHEN THE FLARE IS ADJACENT TO A WALKABLE SURFACE, OR WHEN THE PEDESTRIAN PATH OF TRAVEL OF A PUSH BUTTON TRAVERSES THE FLARE.
- ALL V CURB CONTRACTION JOINTS SHALL MATCH CONCRETE WALK JOINTS.
- WHERE RIGHT-OF-WAY ALLOWS, USE OF V CURB SHOULD BE MINIMIZED. GRADING ADJACENT TURF OR SLOPING ADJACENT PAVEMENT IS PREFERRED.
- V CURB SHALL BE PLACED OUTSIDE THE SIDEWALK LIMITS WHEN RIGHT OF WAY ALLOWS.
- V CURB NEXT TO BUILDING SHALL BE A 4" WIDTH AND SHALL MATCH PREVIOUS TOP OF SIDEWALK ELEVATIONS.
- (1) END TAPERS AT TRANSITION SECTION SHALL MATCH INPLACE SIDEWALK GRADES.
- (2) ALL V CURB SHALL MATCH BOTTOM OF ADJACENT WALK.
- (3) EDGE BETWEEN NEW V CURB AND INPLACE STRUCTURE SHALL BE SEALED AND BOND BREAKER SHALL BE USED BETWEEN EXISTING STRUCTURE AND PLACED V-CURB.
- (4) THE MAX. RATE OF CROSS SLOPE TRANSITIONING IS 1' LINEAR FOOT OF SIDEWALK PER HALF PERCENT CROSS SLOPE. WHEN PAR WIDTH IS GREATER THAN 6' OR THE RUNNING SLOPE IS GREATER THAN 5%, DOUBLE THE CALCULATED TRANSITION LENGTH.
- (5) TRANSITION PANELS ARE TO ONLY BE USED AFTER THE RAMP, OR IF NEEDED, LANDING ARE AT THE FULL CURB HEIGHT (TYPICAL SECTION).
- (6) EXISTING CROSS SLOPE GREATER THAN 2.0%.

LEGEND

THESE LONGITUDINAL SLOPE RANGES SHALL BE THE STARTING POINT. IF SITE CONDITIONS WARRANT, LONGITUDINAL SLOPES UP TO 8.3% OR FLATTER ARE ALLOWED.

(S) INDICATES PEDESTRIAN RAMP - SLOPE SHALL BE BETWEEN 5.0% MINIMUM AND 8.3% MAXIMUM IN THE DIRECTION SHOWN AND THE CROSS SLOPE SHALL NOT EXCEED 2.0%.

(L) LANDING AREA - 4' X 4' MIN. (5' X 5' MIN. PREFERRED) DIMENSIONS AND MAX 2.0% SLOPE IN ALL DIRECTIONS. LANDING SHALL BE FULL WIDTH OF INCOMING PARS.

(T) TRANSITION PANEL(S) - TO BE USED FOR TRANSITIONING THE CROSS-SLOPE OF A RAMP TO THE EXISTING WALK CROSS-SLOPE. RATE OF TRANSITION SHOULD BE 0.5% PER 1' LINEAR FOOT OF WALK. SEE THIS SHEET FOR ADDITIONAL INFORMATION.

REVISION:
 APPROVED: JANUARY 23, 2017
 OPERATIONS ENGINEER

REVISOR:
 APPROVED: 1-23-2017
 STATE DESIGN ENGINEER

PEDESTRIAN CURB RAMP DETAILS
 STANDARD PLAN 5-297.250 5 OF 6